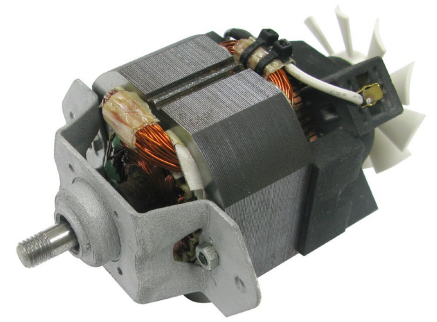


Characteristics:

High Power Density

Specifications:

Dimensions	: Ø 73.0 X 87.5 mm
Shaft Diameter	: Ø 8.000 mm
Input Voltage	: 120.0 V AC , 60 Hz
Maximum Efficiency	: 69 %
Torque at Maximum Efficiency	: 242.00 mNm
Speed at Maximum Efficiency	: 9831 rpm
Weight	: 910 g
Operation Temperature	: -10 to 55 °C
Storage Temperature	: -20 to 80 °C
Electrical Connection	: Leadwire
Certification	: UL, RoHS

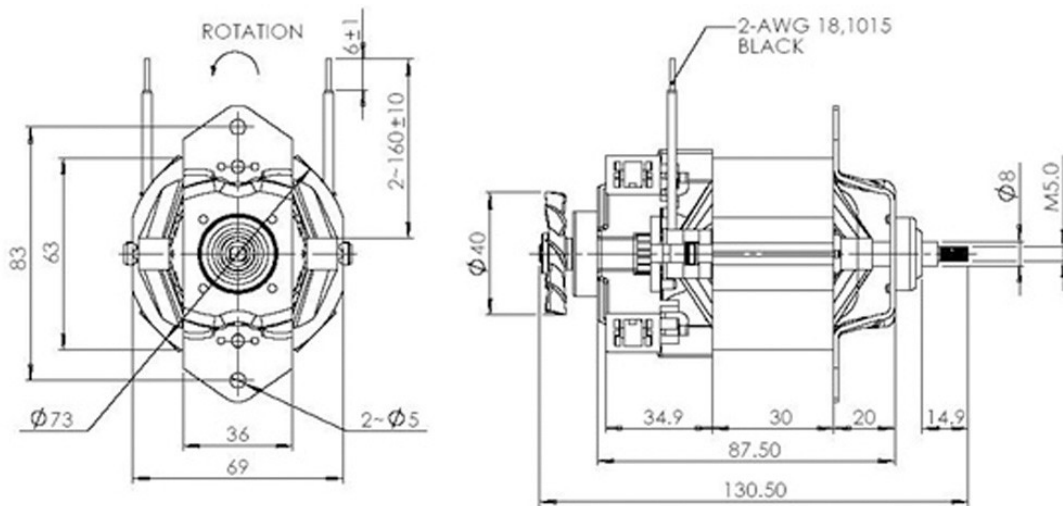
**Performance Data:**

	No Load	Typical Loading	Max Efficiency
Current (A)	1.50	2.90	3.09
Efficiency (%)	-	66	79
Speed (rpm)	20800	10325	9831
Torque (mNm)	-	200.00	242.00

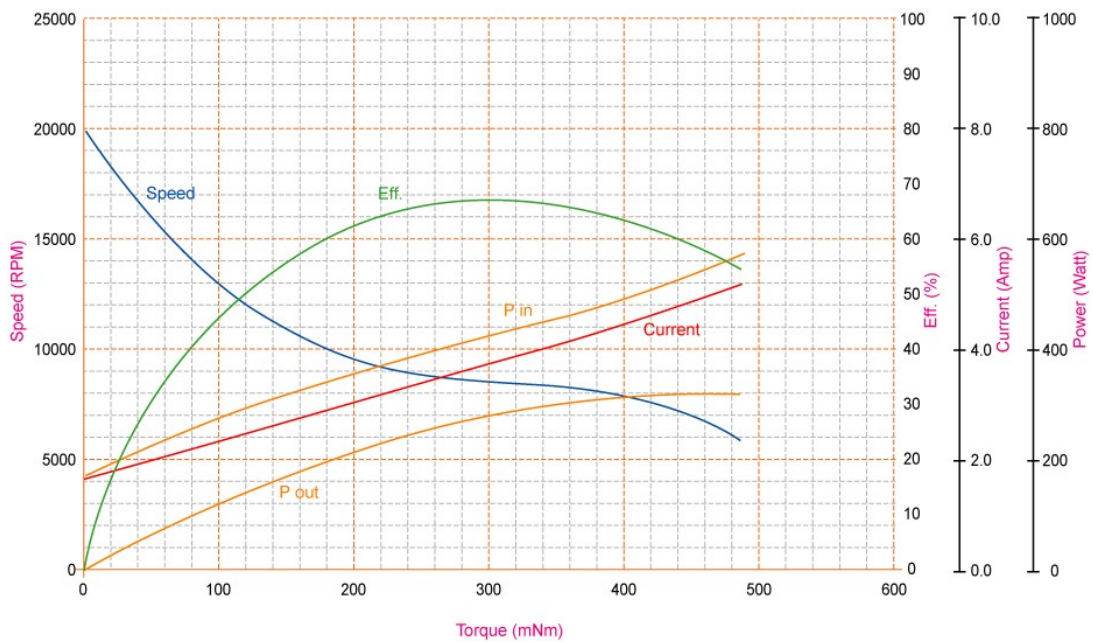
Application Examples:

Food Processors, Table Blenders, Kitchen Blenders, Centrifugal Juicers, Hand Mixers, Stand Mixers

Drawing:



Performance Curves:



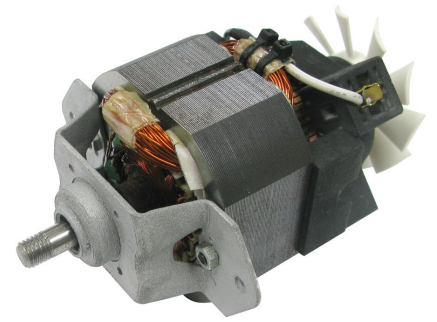
Units in Metric

Characteristics:

High Power Density

Specifications:

Shaft Diameter	: Ø 8.000 mm
Input Voltage	: 230.0 V AC
Maximum Output Power	: 400.00 W
Maximum Efficiency	: 71 %
Torque at Maximum Efficiency	: 315.00 mNm
Speed at Maximum Efficiency	: 10365 rpm
Output Power at Maximum Efficiency	: 321 W
Life (typical)	: 120 hr
Weight	: 910 g
Operation Temperature	: -10 to 55 °C
Storage Temperature	: -20 to 80 °C
Electrical Connection	: Lead Wire
Certification	: RoHS

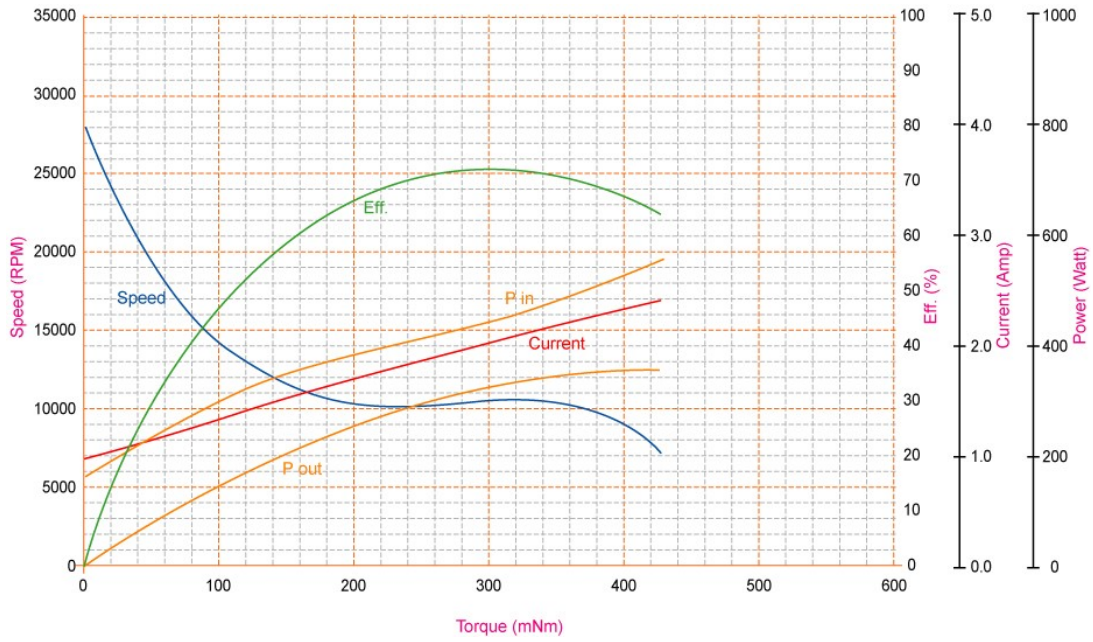
**Performance Data:**

	No Load	Typical Loading	Max Efficiency
Current (A)	0.67	1.71	2.03
Efficiency (%)	-	70	71
Output Power (W)	-	272.30	321.30
Speed (rpm)	29365	10922	10365
Torque (mNm)	-	250.00	315.00

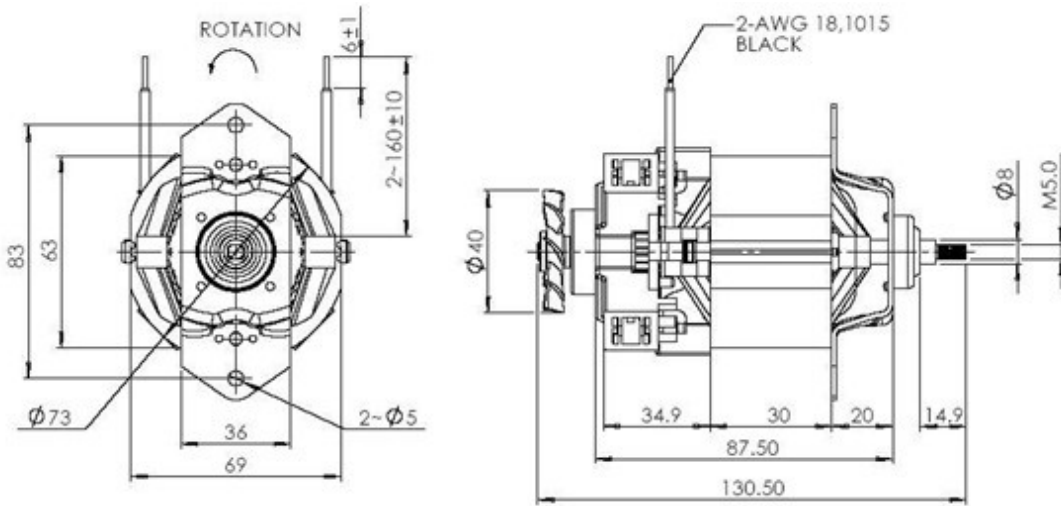
Application Examples:

Food Processors, Juicers, Table Blenders, Kitchen Blenders, Centrifugal Juicers, Hand Mixers, Stand Mixers

Drawing:



Performance Curves:



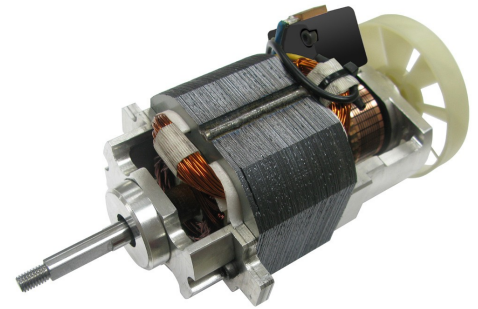
Units in Metric

Characteristics:

High Power Density

Specifications:

Dimensions	: Ø 73.0 X 99.5 mm
Shaft Diameter	: Ø 8.000 mm
Input Voltage	: 120.0 V AC , 60 Hz
Maximum Efficiency	: 74 %
Torque at Maximum Efficiency	: 534.00 mNm
Speed at Maximum Efficiency	: 17423 rpm
Weight	: 1215 g
Operation Temperature	: -10 to 55 °C
Storage Temperature	: -20 to 80 °C
Electrical Connection	: Leadwire
Certification	: UL, RoHS

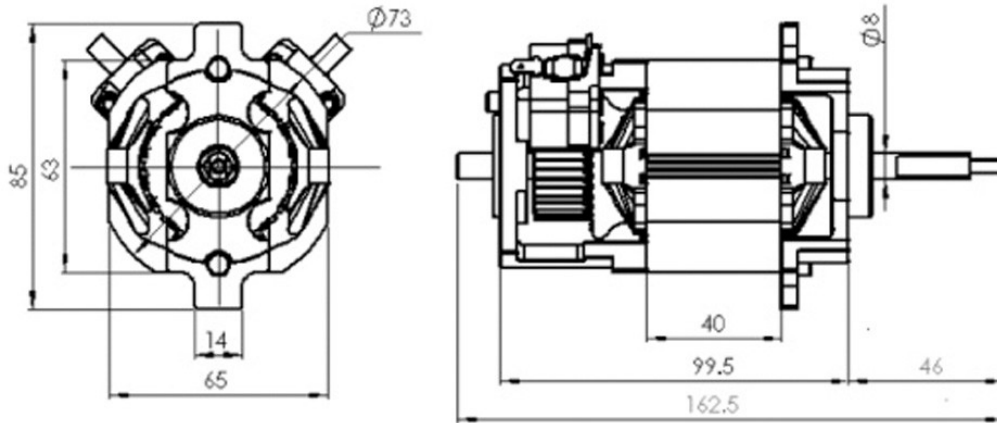
**Performance Data:**

	No Load	Typical Loading	Max Efficiency
Current (A)	3.94	11.52	11.52
Efficiency (%)	-	74	74
Output Power (W)	-	986.00	-
Speed (rpm)	28866	17423	17423
Torque (mNm)	-	534.00	534.00

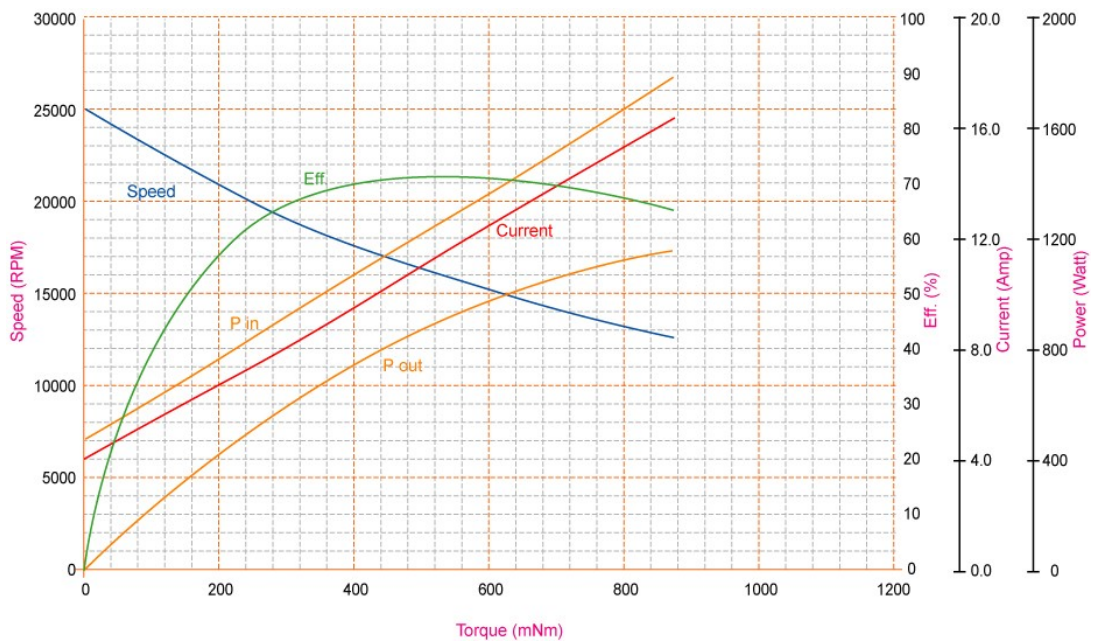
Application Examples:

Leaf Blowers, Blowers / Vac

Drawing:



Performance Curves:



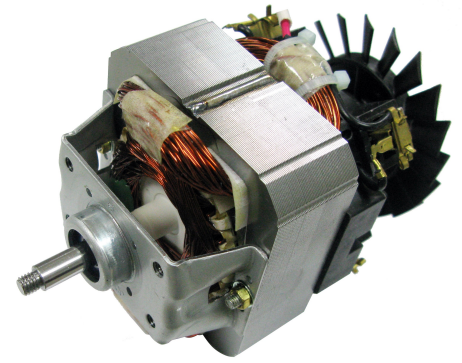
Units in Metric

Characteristics:

High Power Density Universal Motor

Specifications:

Dimensions	: Ø 103.0 X 91.5 mm
Shaft Diameter	: Ø 8.000 mm
Input Voltage	: 120.0 V AC , 60 Hz
Maximum Efficiency	: 67 %
Torque at Maximum Efficiency	: 650.00 mNm
Speed at Maximum Efficiency	: 12290 rpm
Output Power at Maximum Efficiency	: 820 W
Life (typical)	: 120 hr
Life Test Condition	: Subject to fan loading and testing cycles
Weight	: 1610 g
Operation Temperature	: -10 to 55 °C
Storage Temperature	: -20 to 80 °C
Electrical Connection	: Lead Wire

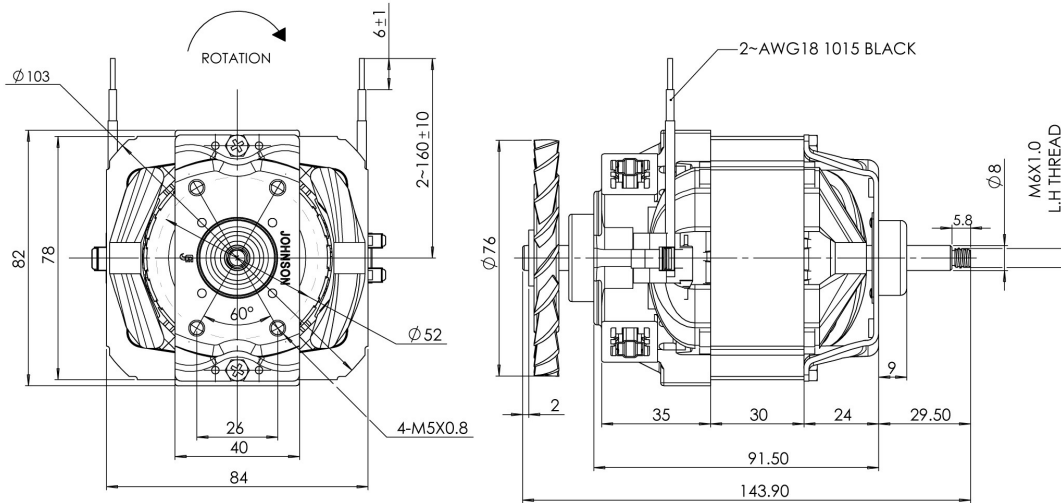
**Performance Data:**

	No Load	Max Efficiency
Current (A)	4.20	10.80
Efficiency (%)	-	67
Output Power (W)	-	820.00
Speed (rpm)	20970	12290
Torque (mNm)	-	650.00

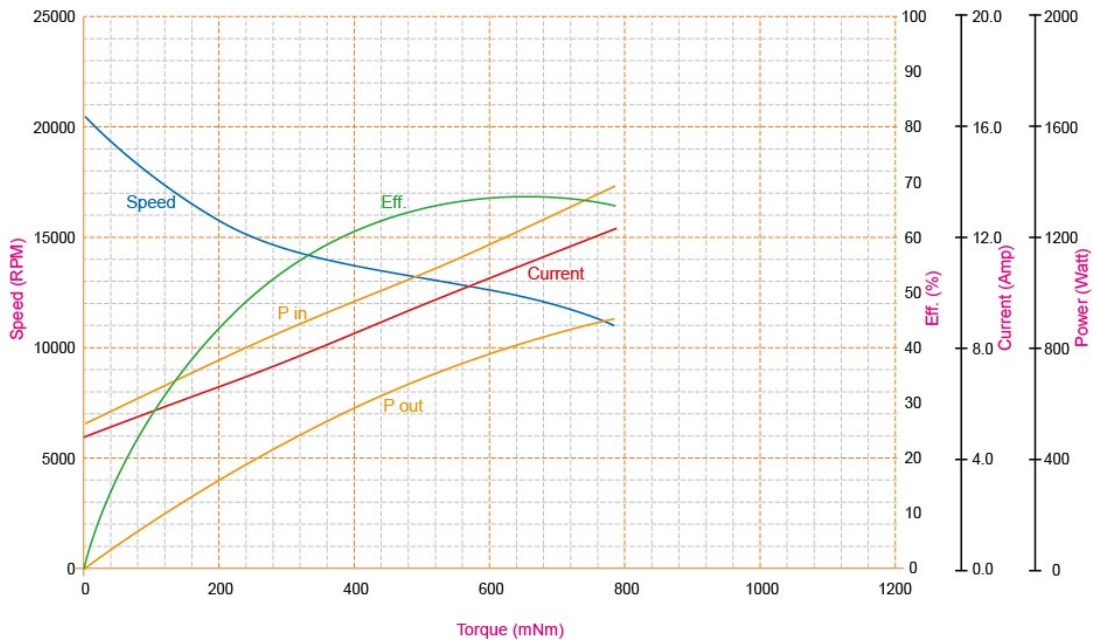
Application Examples:

Blenders, Juicers, Food Processors, Commercial Blenders, Bar Blenders, Table Blenders, Centrifugal Juicers, Stand Mixers

Drawing:



Performance Curves:



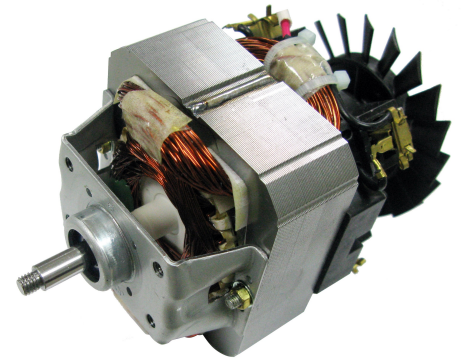
Units in Metric

Characteristics:

High Power Density Universal Motor

Specifications:

Dimensions	: Ø 103.0 X 91.5 mm
Shaft Diameter	: Ø 8.000 mm
Input Voltage	: 230.0 V AC , 50 Hz
Maximum Efficiency	: 65 %
Torque at Maximum Efficiency	: 640.00 mNm
Speed at Maximum Efficiency	: 11720 rpm
Output Power at Maximum Efficiency	: 775 W
Life (typical)	: 120 hr
Life Test Condition	: Subject to fan loading and testing cycles
Weight	: 1610 g
Operation Temperature	: -10 to 55 °C
Storage Temperature	: -20 to 80 °C
Electrical Connection	: Lead Wire

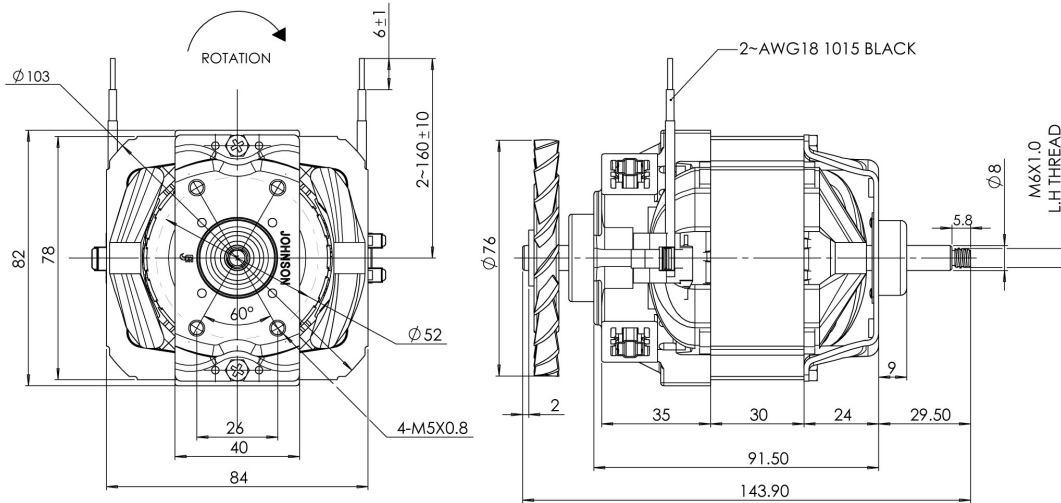
**Performance Data:**

	No Load	Max Efficiency
Current (A)	2.70	5.40
Efficiency (%)	-	65
Output Power (W)	-	775.00
Speed (rpm)	21770	11720
Torque (mNm)	-	640.00

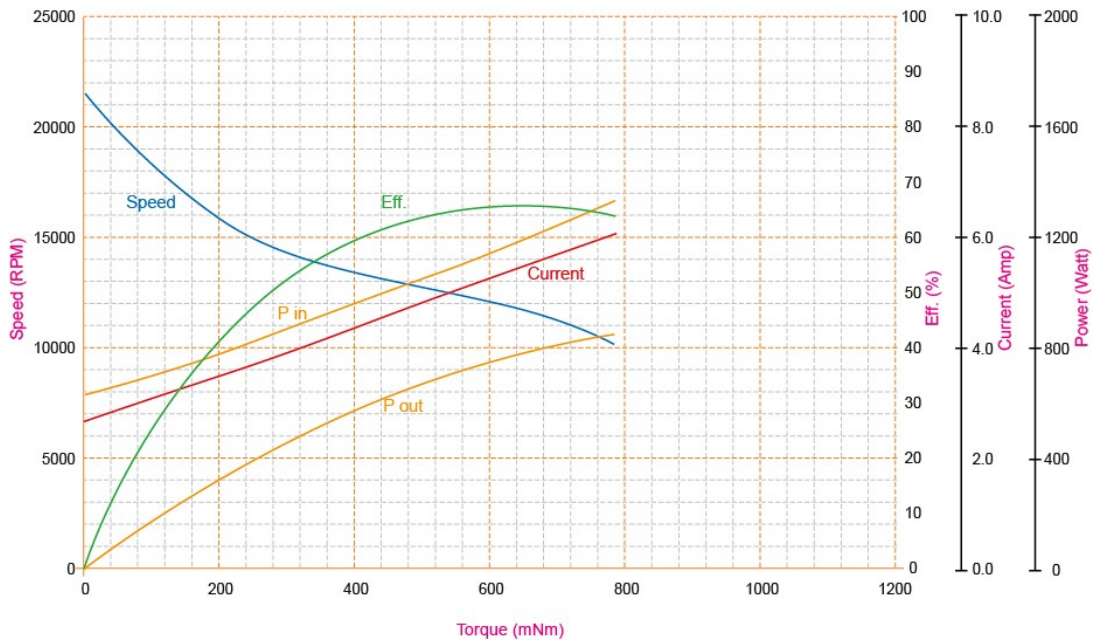
Application Examples:

Blenders, Juicers, Food Processors, Commercial Blenders, Bar Blenders, Table Blenders, Centrifugal Juicers, Stand Mixers

Drawing:



Performance Curves:



Units in Metric